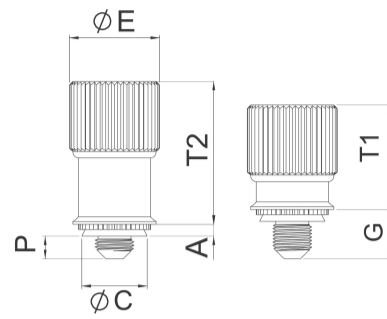


Captive Panel Screw



Type: SF-PF11



SF-PF11

Material Code

Steel/nickel (retainer)-Aluminum (knob)-Stainless steel (screw & spring) = SF-PF11

How to order

Type + Thread + Screw Length Code

Example: SF-PF11-M3-0 or SF-PF11-M6-2

Thread	M3			M4			M5			M6	Please note!
Screw Length Code	0	1	2	0	1	2	0	1	2	2	
A max. mm	0.92			0.92			0.92			0.92	
C max. mm	5.54			7.90			7.90			9.50	
E ±0.25 mm	10.59			13.06			13.06			14.61	
G ±0.64 mm	4.32	5.84	7.37	5.84	7.37	8.89	5.84	7.37	8.89	10.41	
P ± 0.64 mm	0	1.52	3.05	0	1.52	3.05	0	1.52	3.05	3.05	
T1 nom. mm	7.87			11.43			11.43			13.46	
T2 nom. mm	11.43			16.26			16.26			20.07	
Driver Size	PH1			PH2			PH2			PH3	
Sheet Thickness min. mm	0.92			0.92			0.92			0.92	
Distance Centre Hole to Sheet Edge min. mm	7.11			8.38			8.38			11.68	

